

# Casement-window

## Model 70 Casement window

Frame Assembly and Installation Instructions  
001--2024-11-14

### INTRODUCTION

These instructions are intended for the installer to quickly summarize the major steps of the installation and provide full detailed instructions. The installer must read the complete instructions in their entirety and rely on this document to understand all warnings, procedures, and standards.



WARNING! Do not lift or move without the proper equipment. Read, understand, and follow all lifting equipment manufacturer's instructions and safety information.

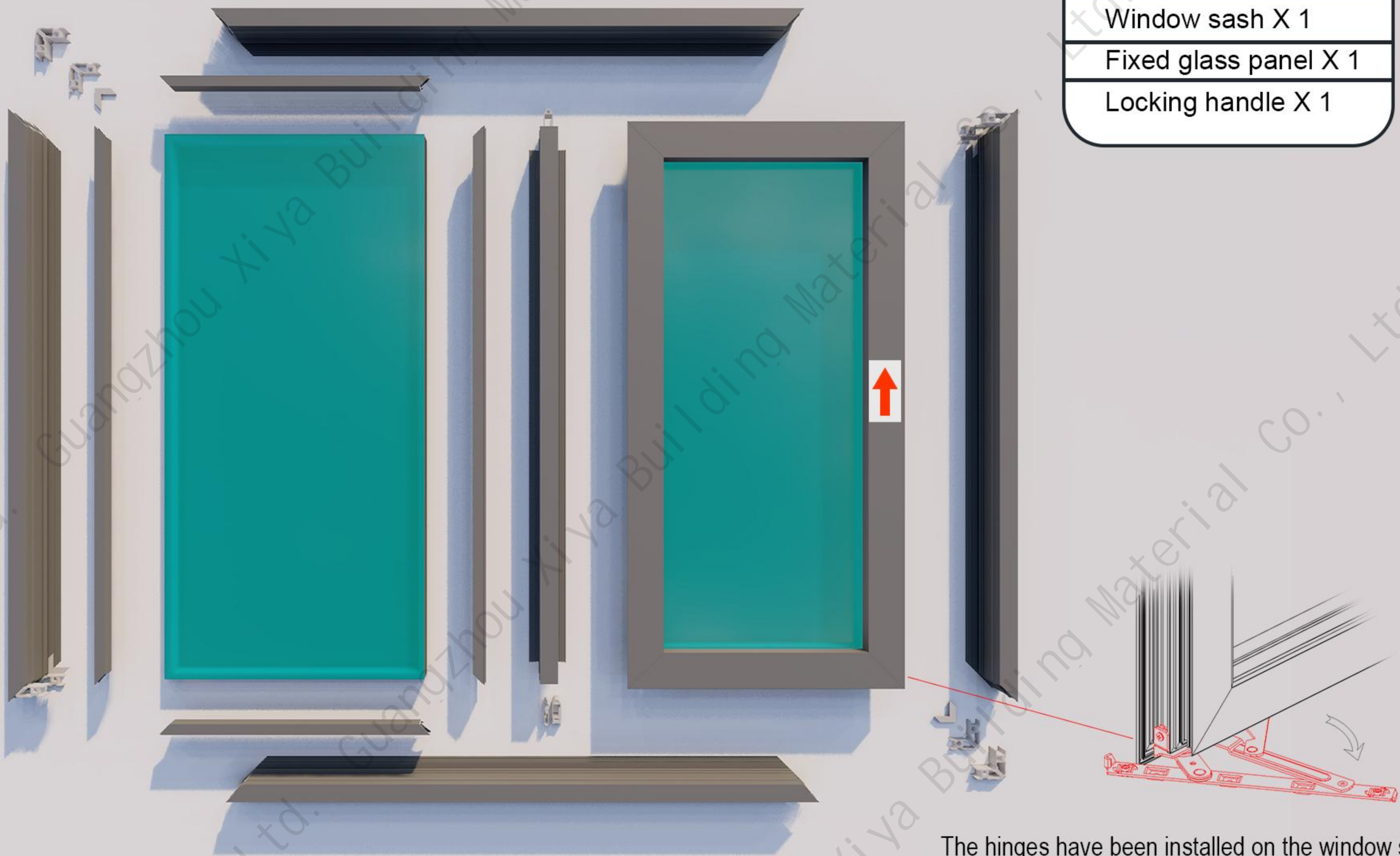


## 1 Prepare tools

### 1 Prepare tools



## 2. Product details



### 3. Preparatory work for the RO

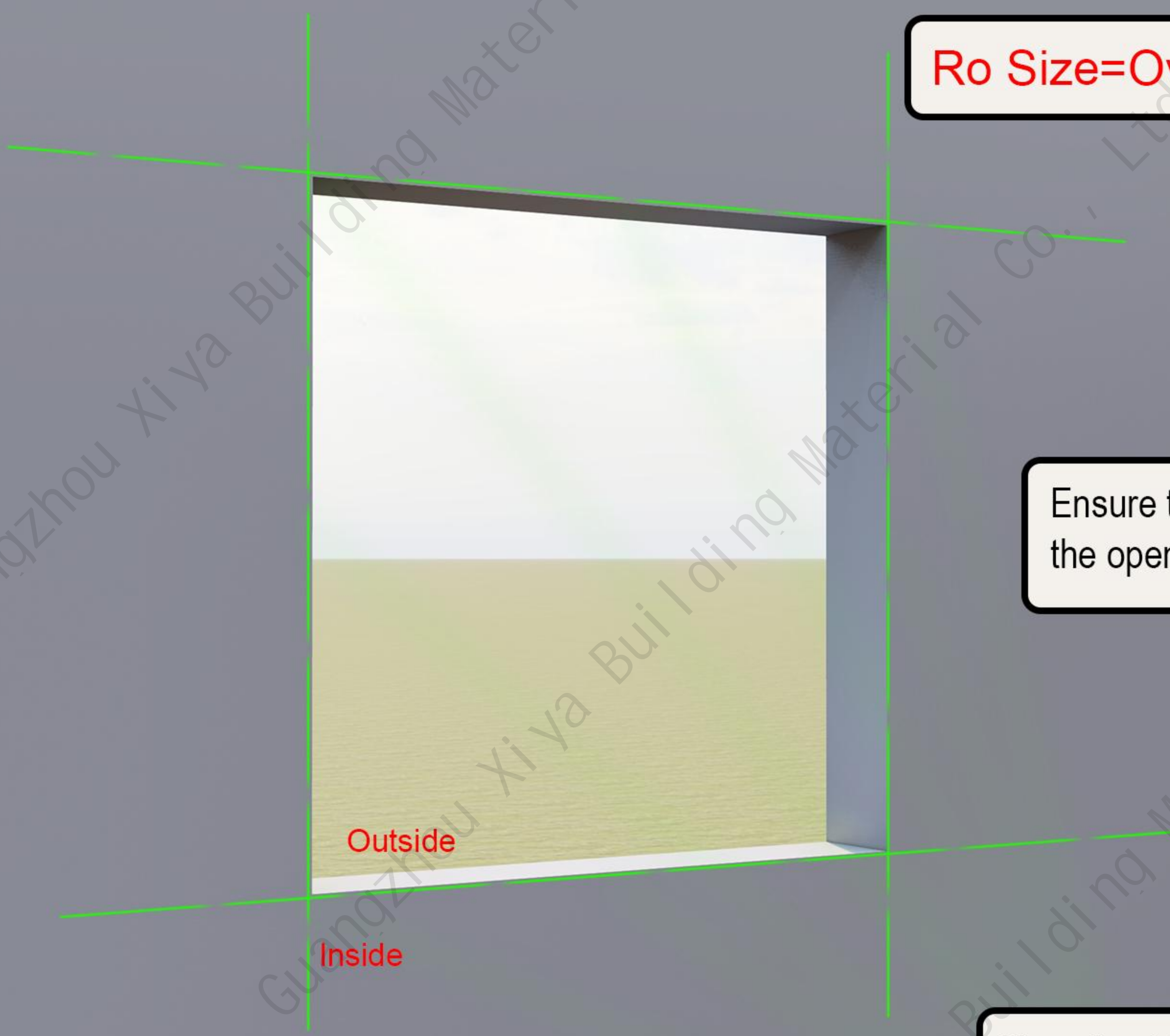
Ro Size=Overall Size+1/2"

Ensure that the four sides of the opening are right angles.

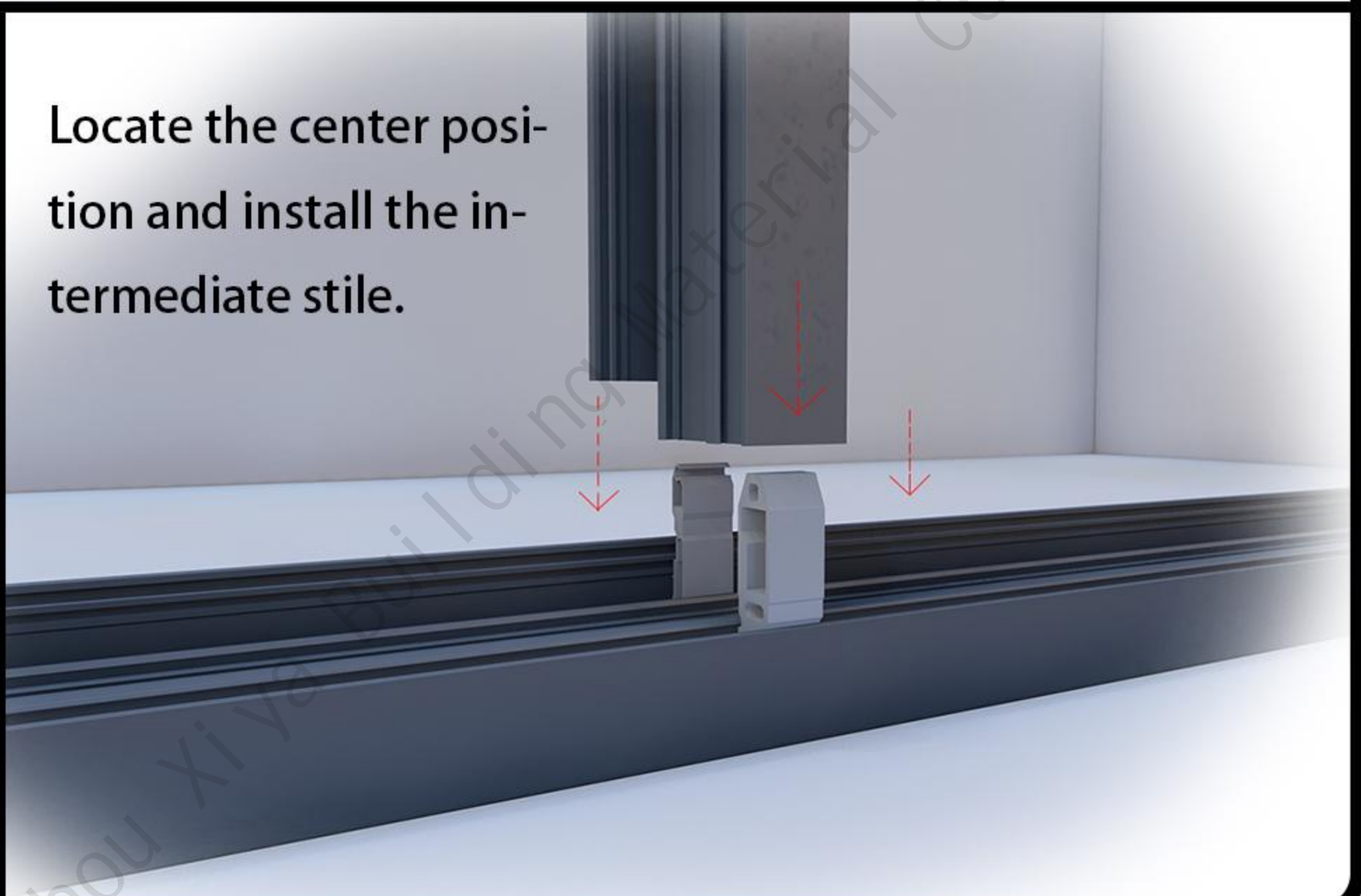
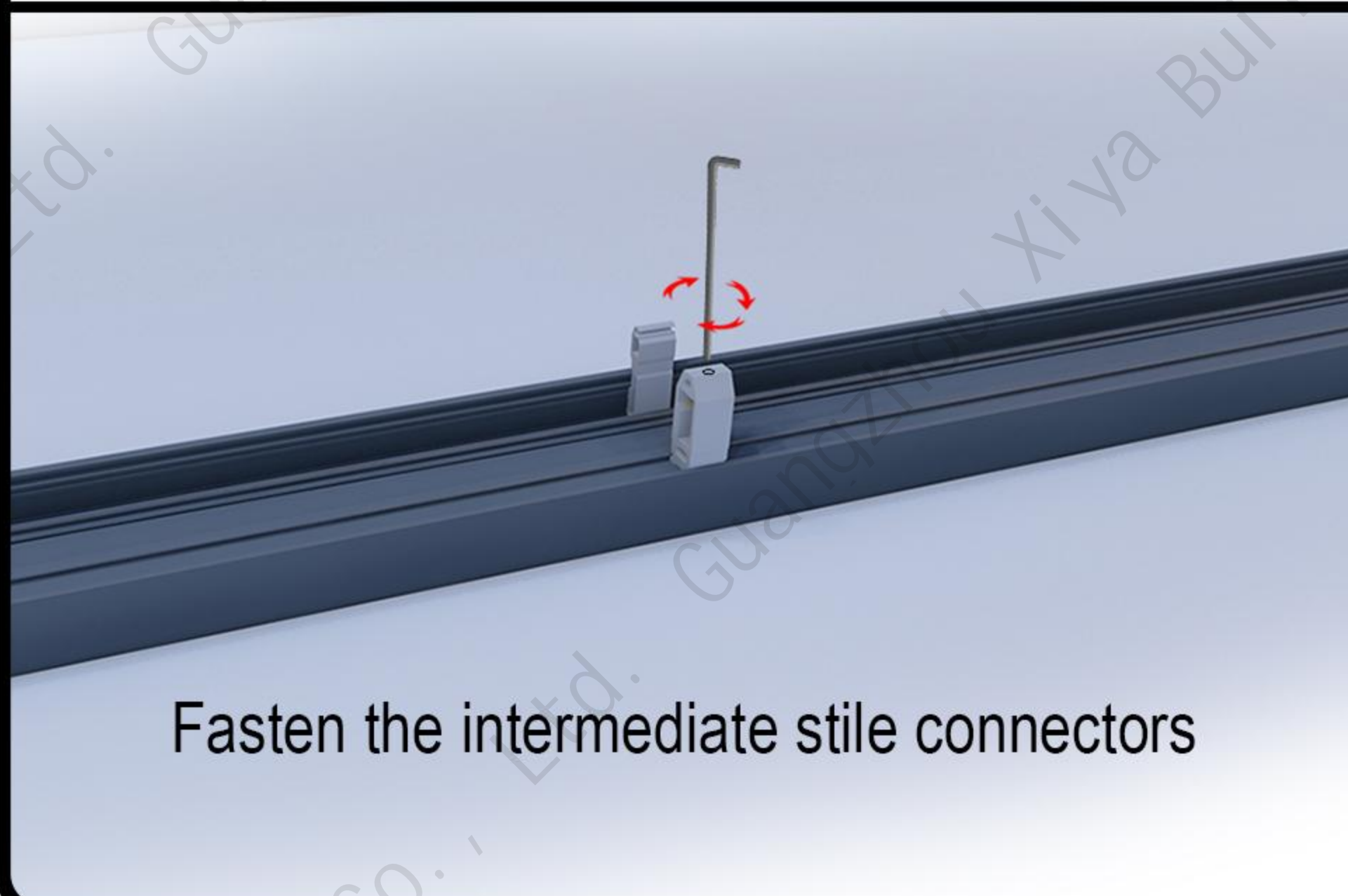
Use a level to confirm that the window sill is parallel to the floor.

Outside

Inside



# 4.1. Assemble the window frame



## 4.2. Assemble the window frame

Install the top rail



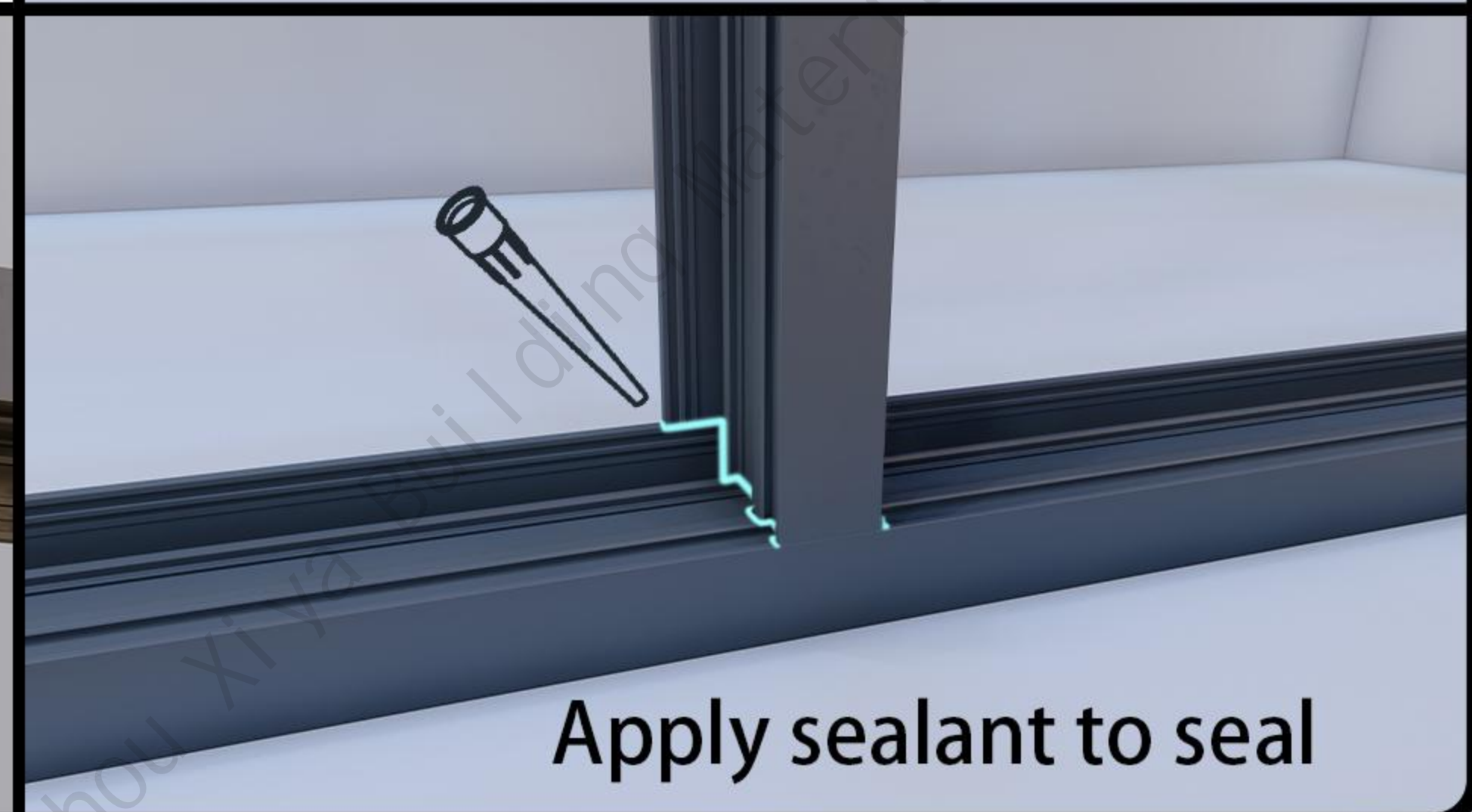
Fasten the intermediate stile



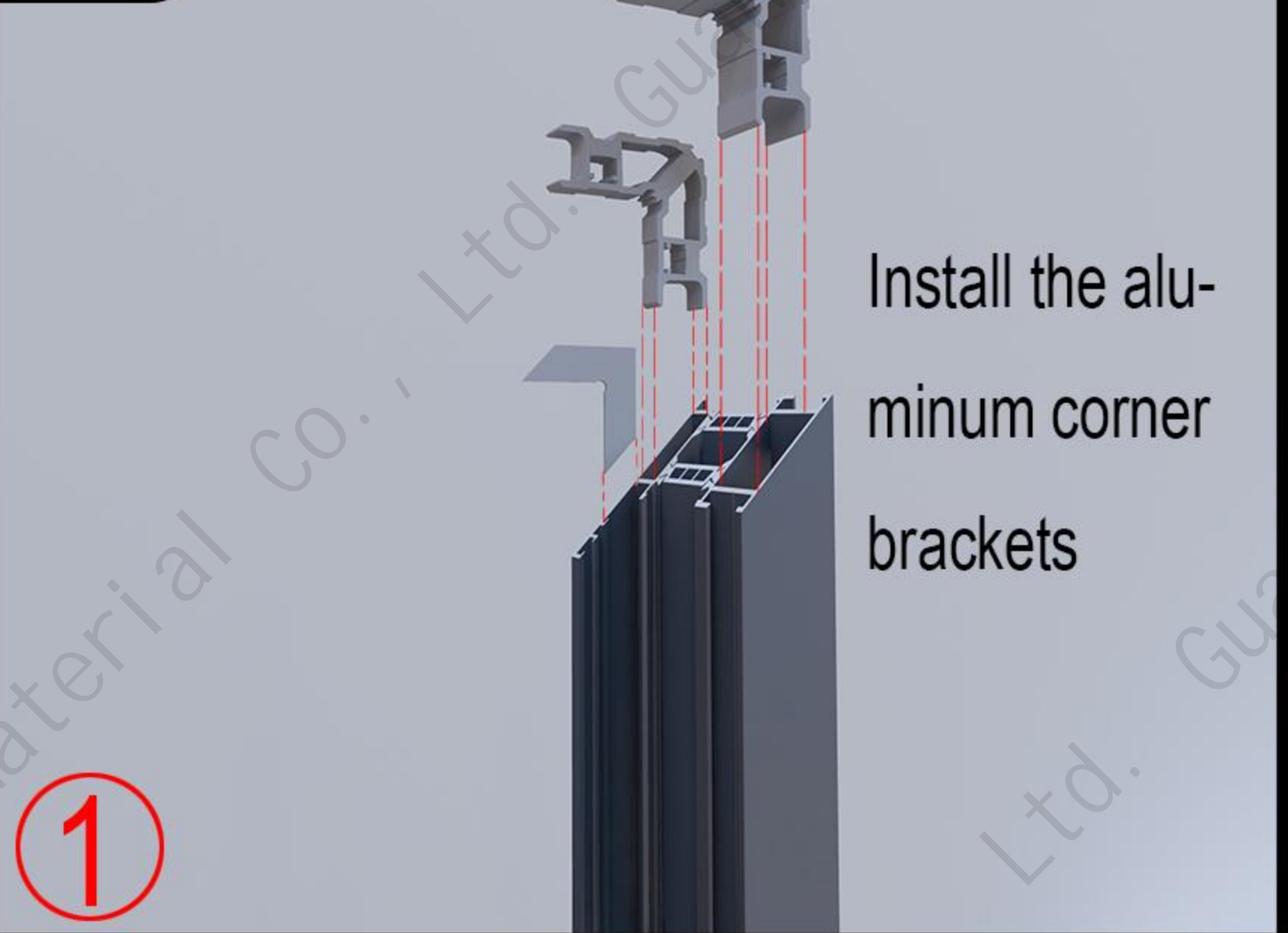
Fasten the intermediate stile



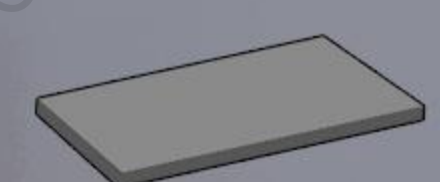
Apply sealant to seal



# 4.3. Assemble the window frame



# 5. Put into the Opening



**Shim**

Put the door frame into the opening and adjust it to be level.  
If one side is tilted, you can use gasket to adjust it to be level.

# 6. Install Nail fin (Nail Flange)

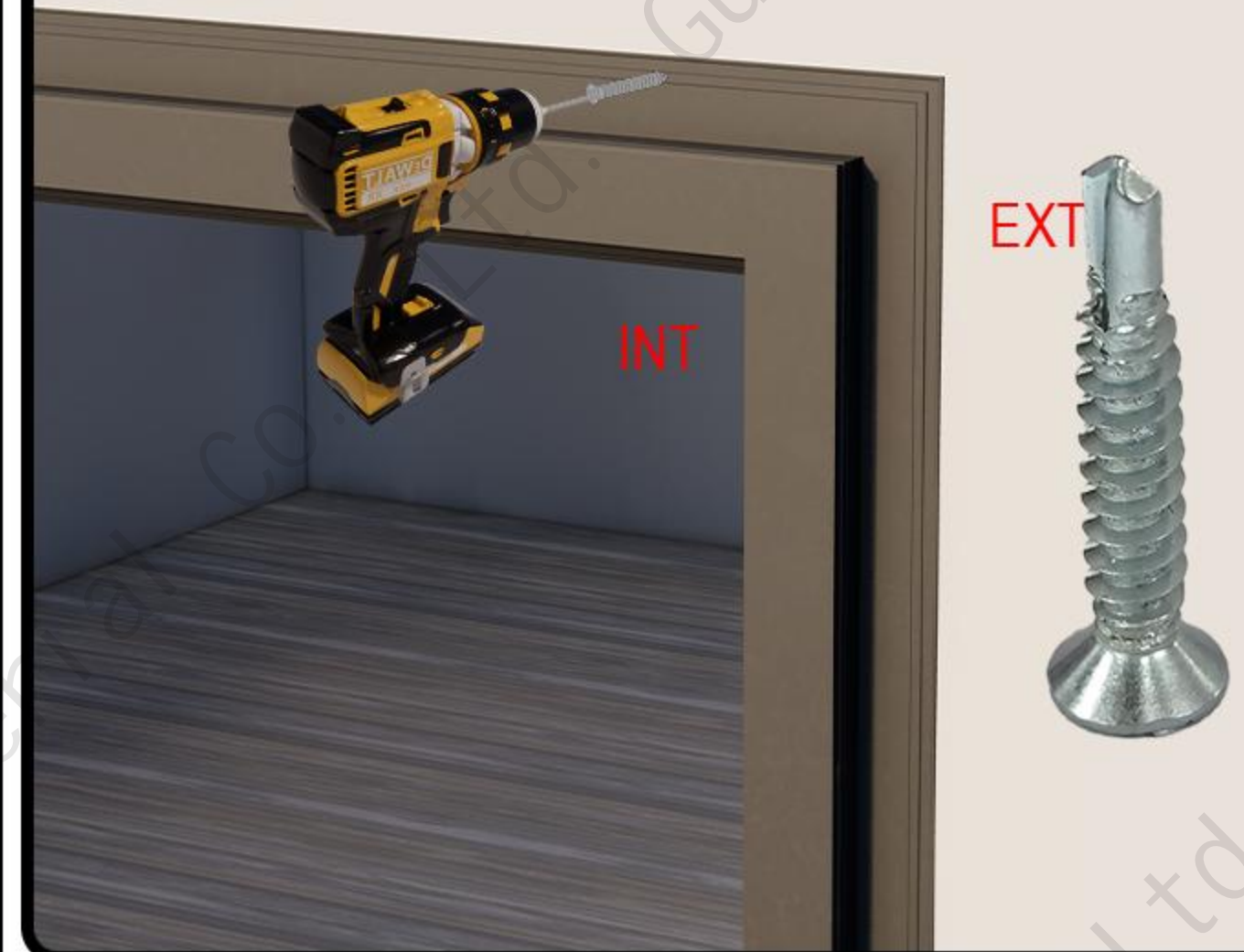


EXT

## Method 1: Nail Flange Installation

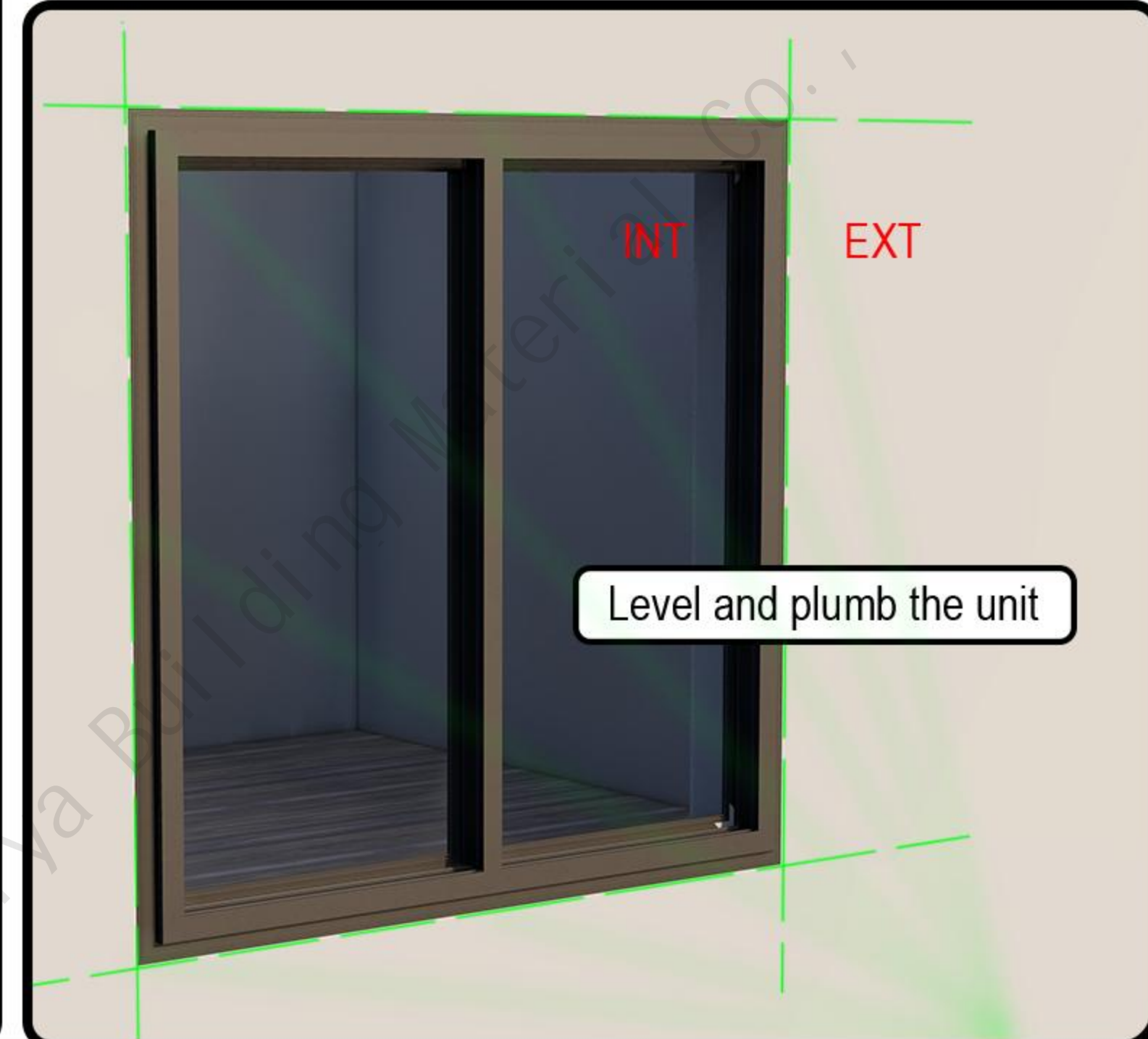
Installation of the Nail Flange shall be carried out from the outdoor side.

Secure the nail fin Selftap screw



EXT

INT

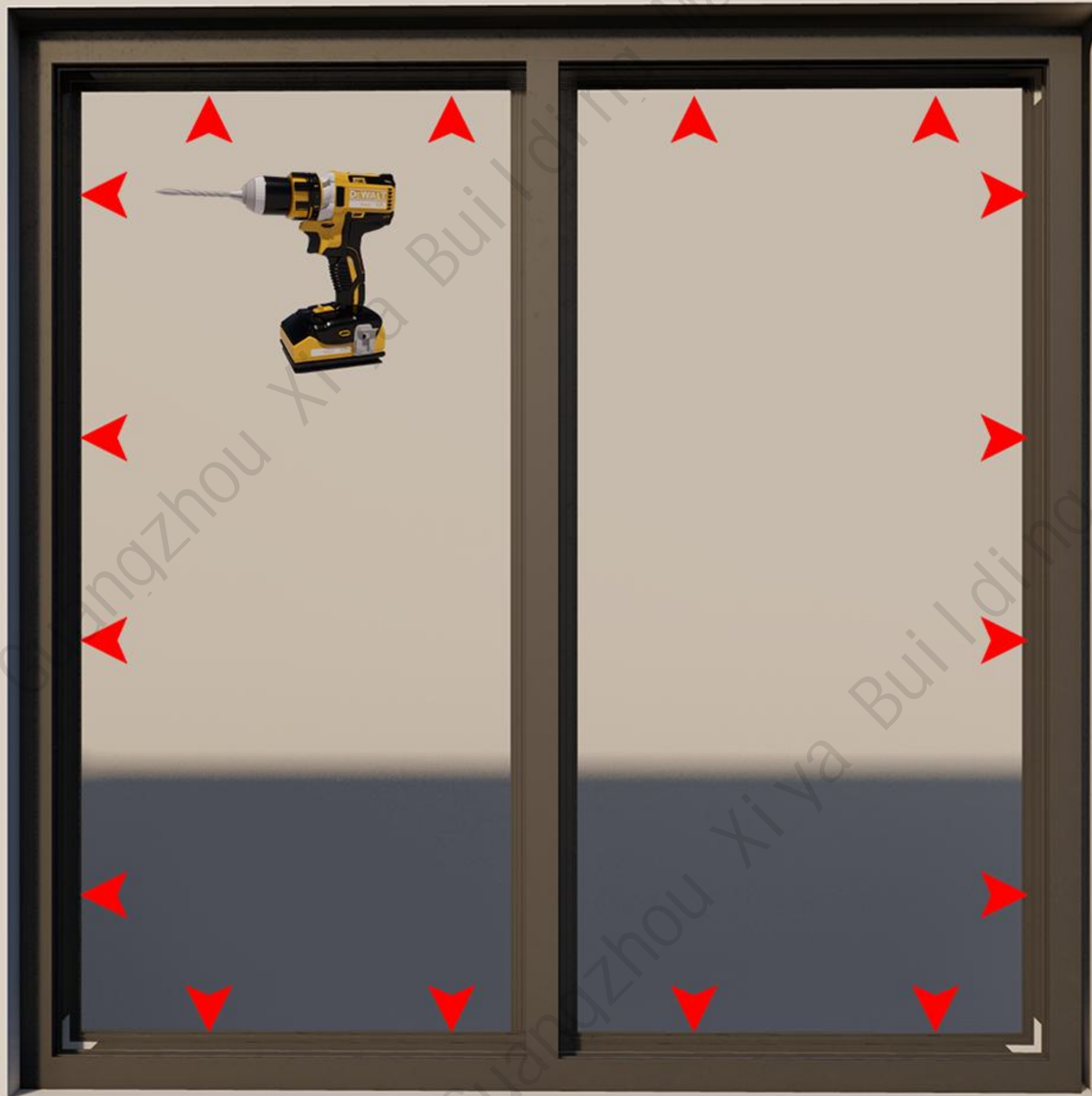


Level and plumb the unit

INT

EXT

# 7. Screw Fixing



Method 2: Fastening with Self-tapping Screws

Fasten with self-tapping screws at a spacing of 500mm.



Use an electric drill to drill holes of different sizes.



Secure the upper track with screws.

## 8. Install the glass panel



Place glass spacers or wooden blocks of the same height on both sides of the glass to prevent the glass perimeter from colliding with metal components.



Caution! When placing the glass panel onto the frame, it must be held in place by a person to prevent it from tipping over and injuring personnel.



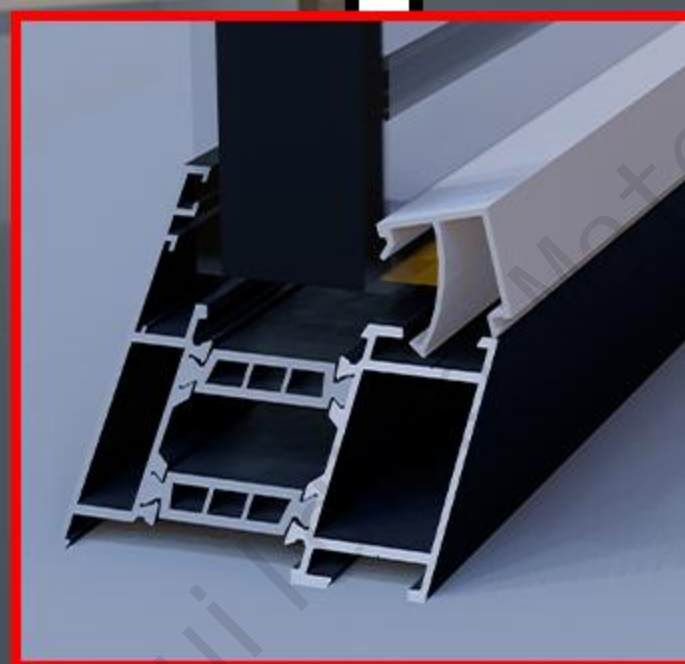
Install the glass panel on the fixed side

Once the glass panel is seated on the frame, you must fit the top and bottom glazing beads first, followed by the left and right glazing beads.

EXT

EXT

INT

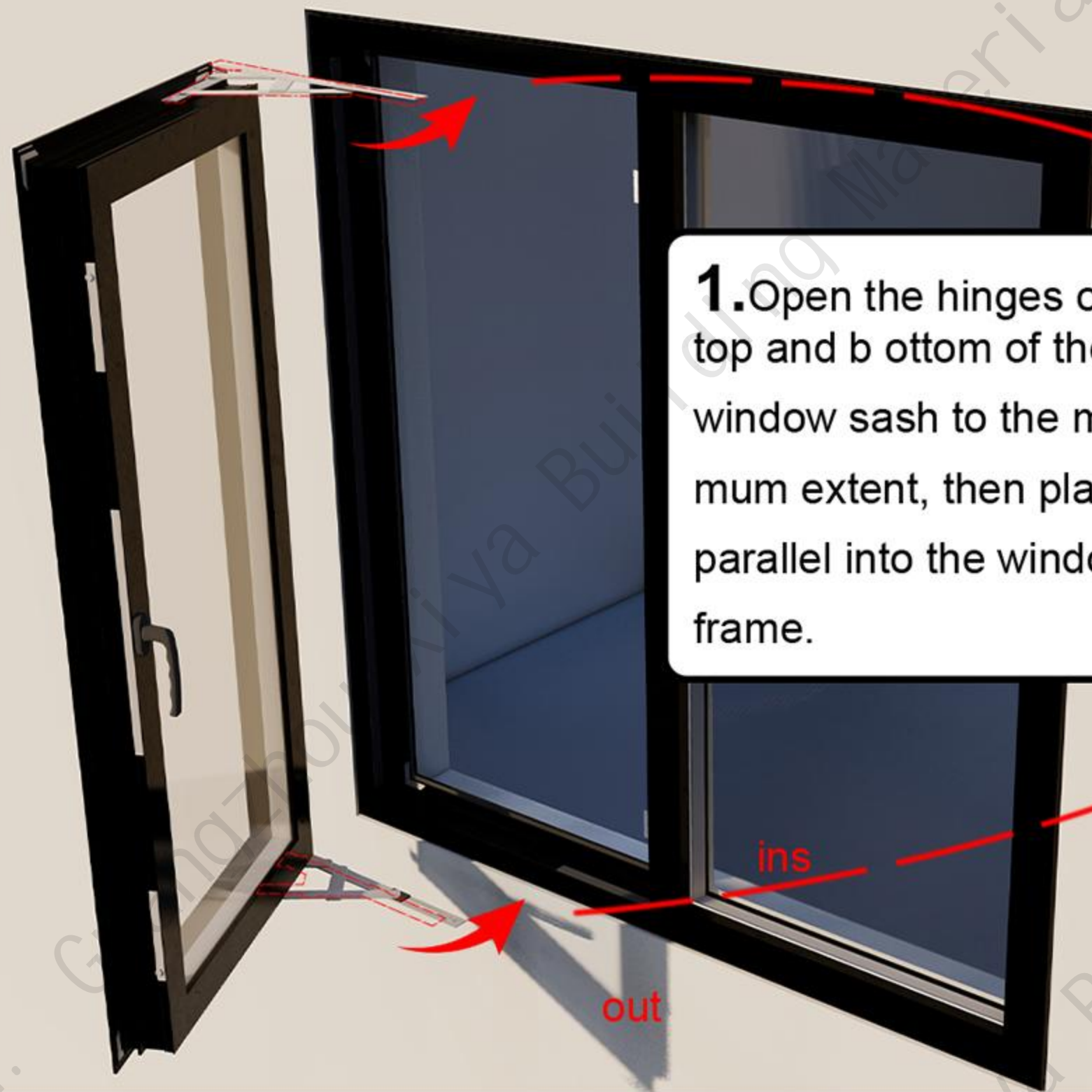


INT

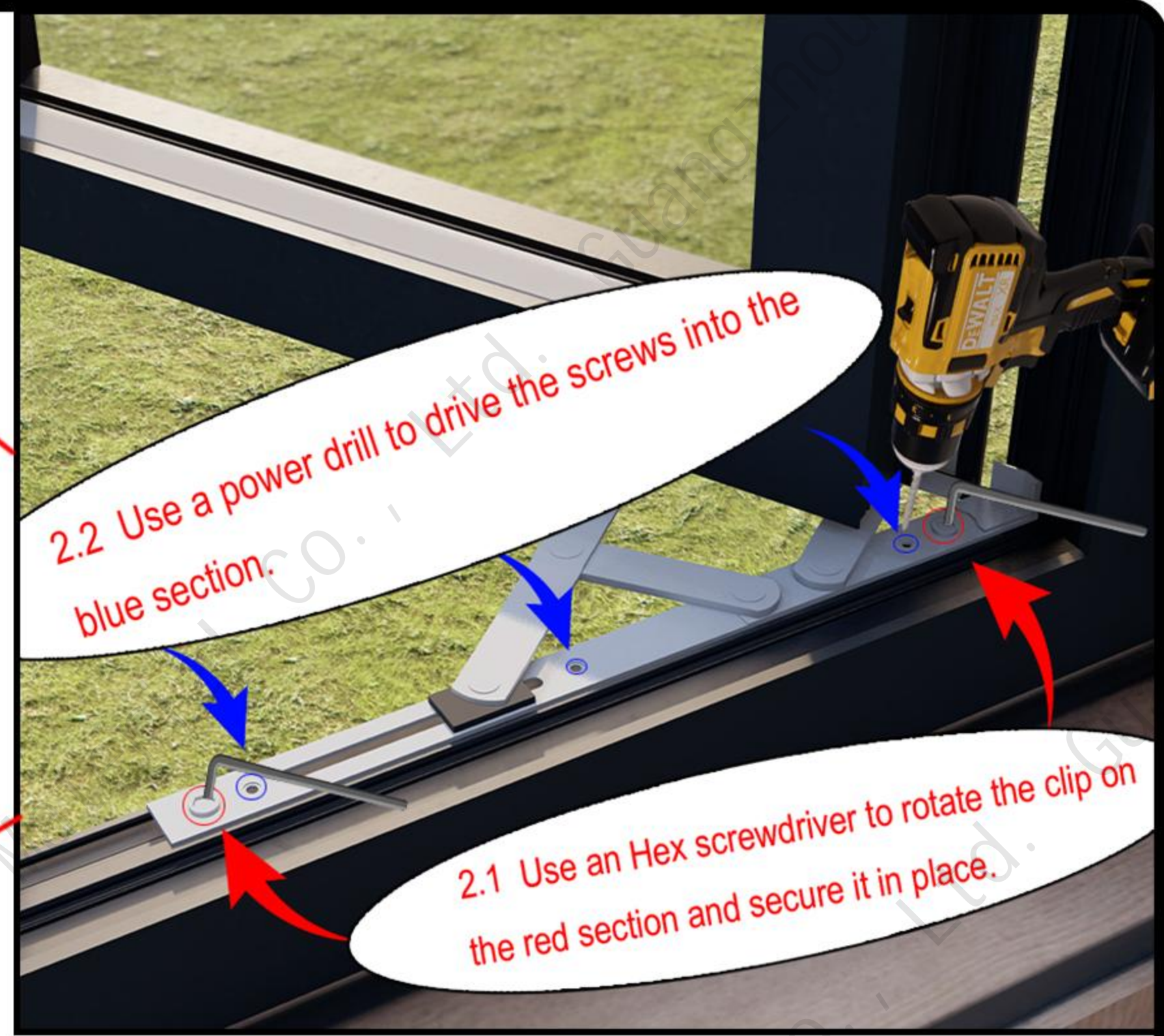
Apply sealant on both the inside and outside



# 9. Install the operable sash

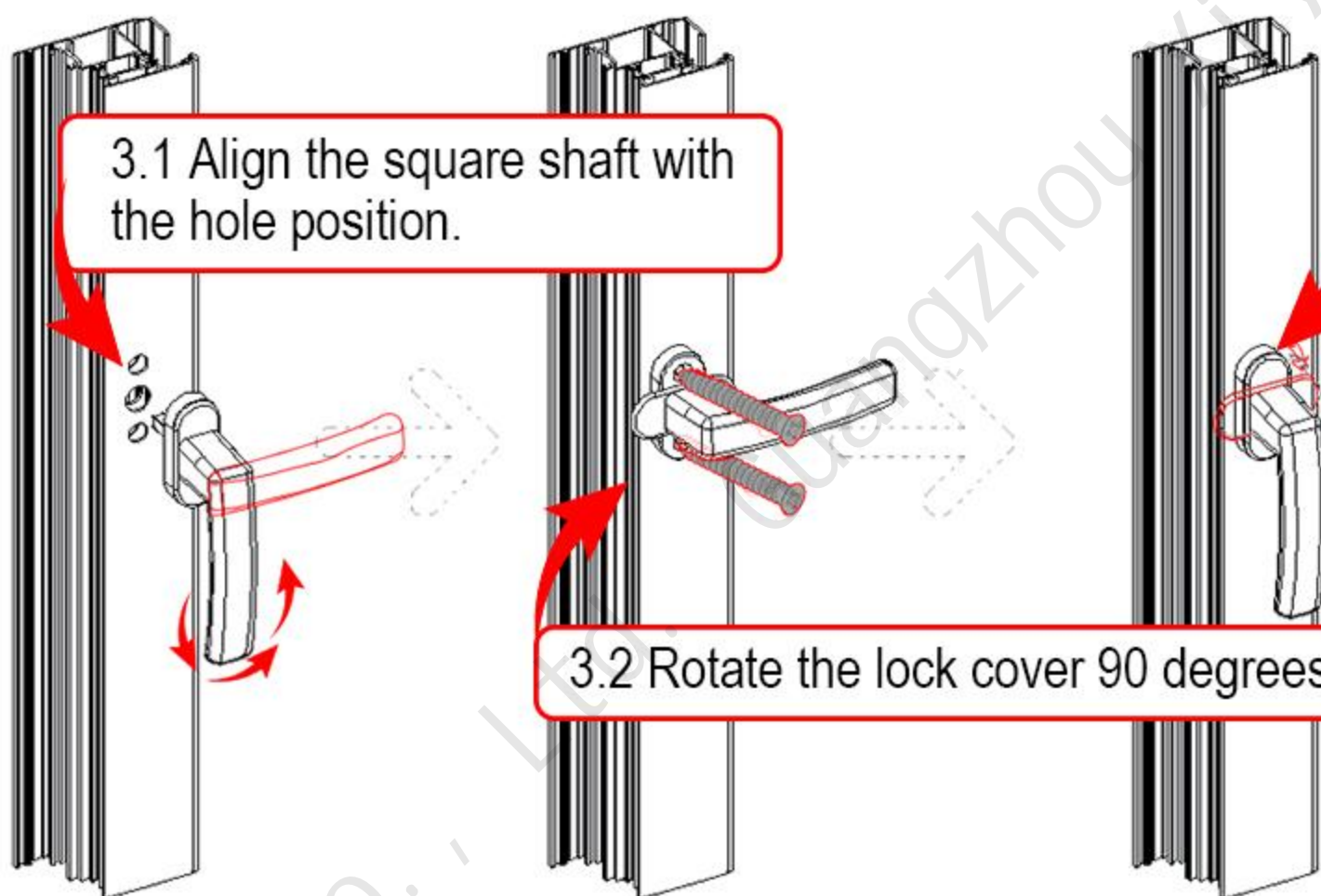


1. Open the hinges on the top and bottom of the window sash to the maximum extent, then place it parallel into the window frame.



2.2 Use a power drill to drive the screws into the blue section.

2.1 Use an Hex screwdriver to rotate the clip on the red section and secure it in place.



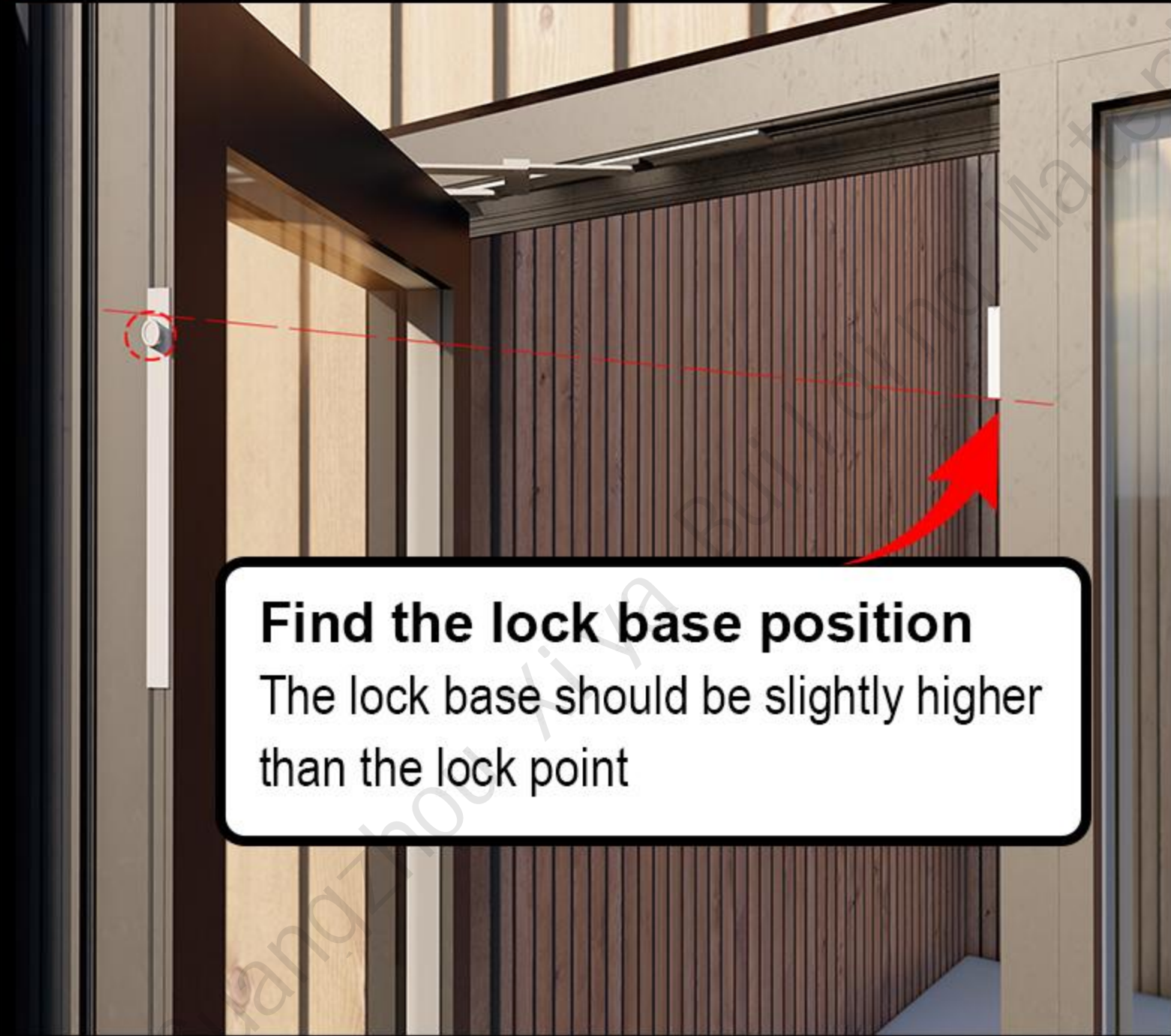
3.1 Align the square shaft with the hole position.

3.2 Rotate the lock cover 90 degrees

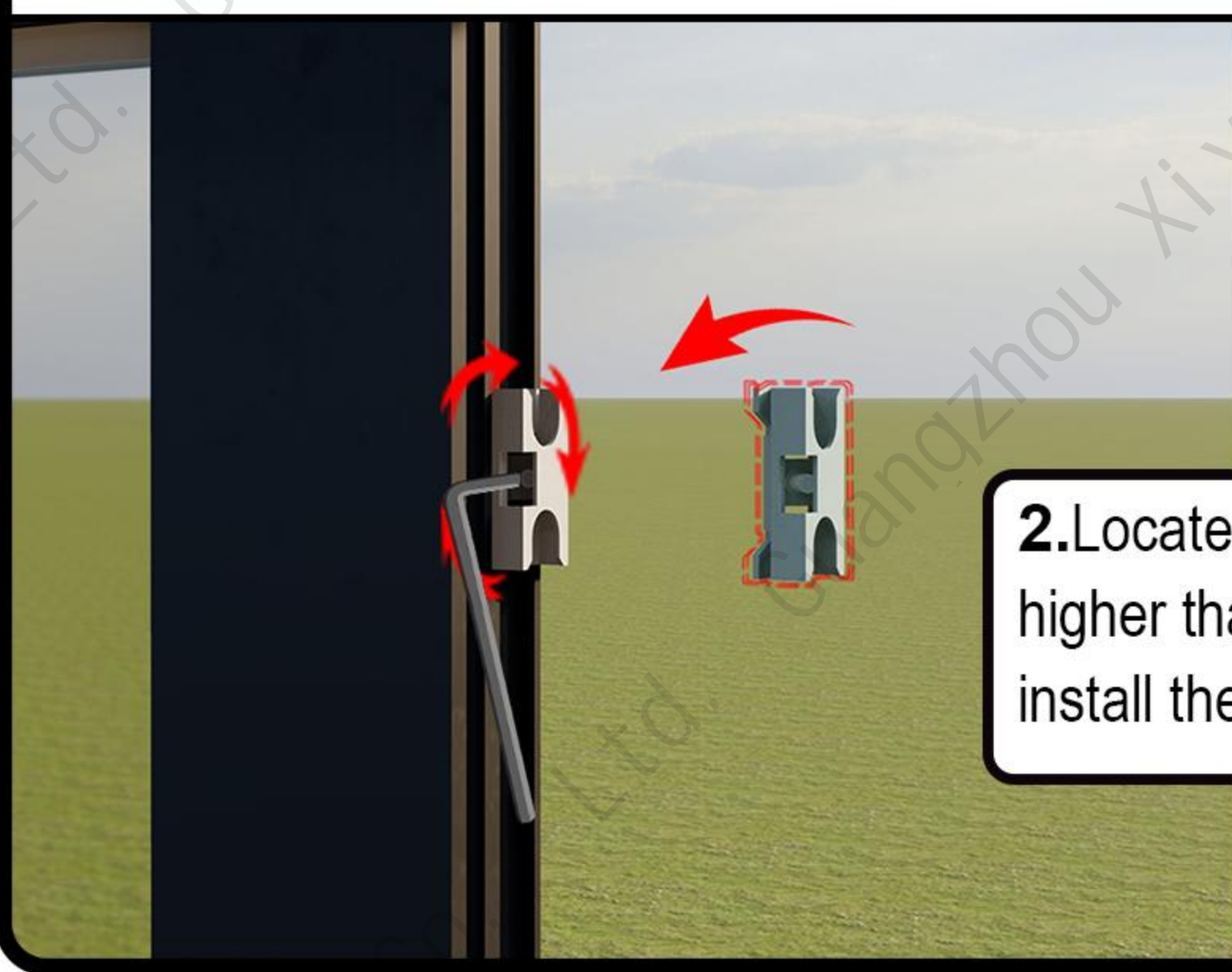
3.3 After securing the screws, snap on the lock cover



# 10. How to do miner adjustment



**Find the lock base position**  
The lock base should be slightly higher than the lock point



**2. Locate a position slightly higher than the lock point and install the lock strike there.**





Install a full circle of weatherstripping and trim cover around the window frame.

Install the weatherstripping

Install the window frame trim cover and cut off the excess material with scissors.



Trim off the excess buckle cover

# 11. Open and close the window sashes



**1.** Inspect the window sash to ensure that it can open and close smoothly without sticking or jamming.

**2.** If the window sash cannot close properly, adjust the position of the lock strike until it is perfectly aligned with the lock point to fix the problem.

Insert a piece of paper into the window sash, close it, and check the seal



# 12. Verify that the entire window sash is perfectly level.



Check the overall level